

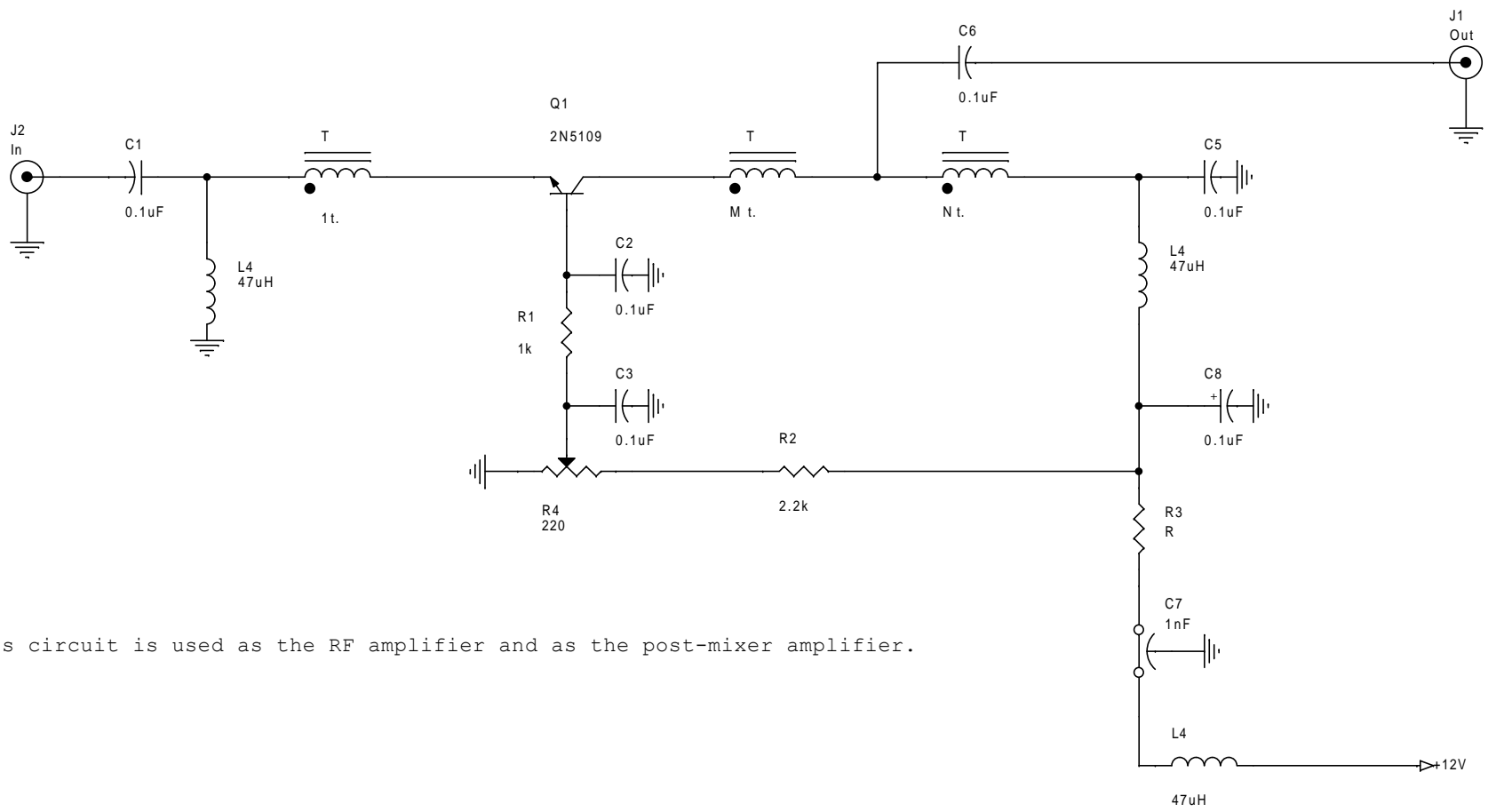
5 4 3 2 1

D

C

B

A



This circuit is used as the RF amplifier and as the post-mixer amplifier.

Transformer T is made on a two-holes SIEMENS ferrite core with following M and N values :

- RF switchable amp. : gain is around 9 dB (M= 5t and N=3t)
- Post-mixer amp. : gain is around 12 dB (M= 11 t and N=4t)

Size A4	Document Number F2DC DC7 Transceiver : Norton Amplifier	Rev
Date: Monday, March 29, 2004	Sheet 1 of 1	